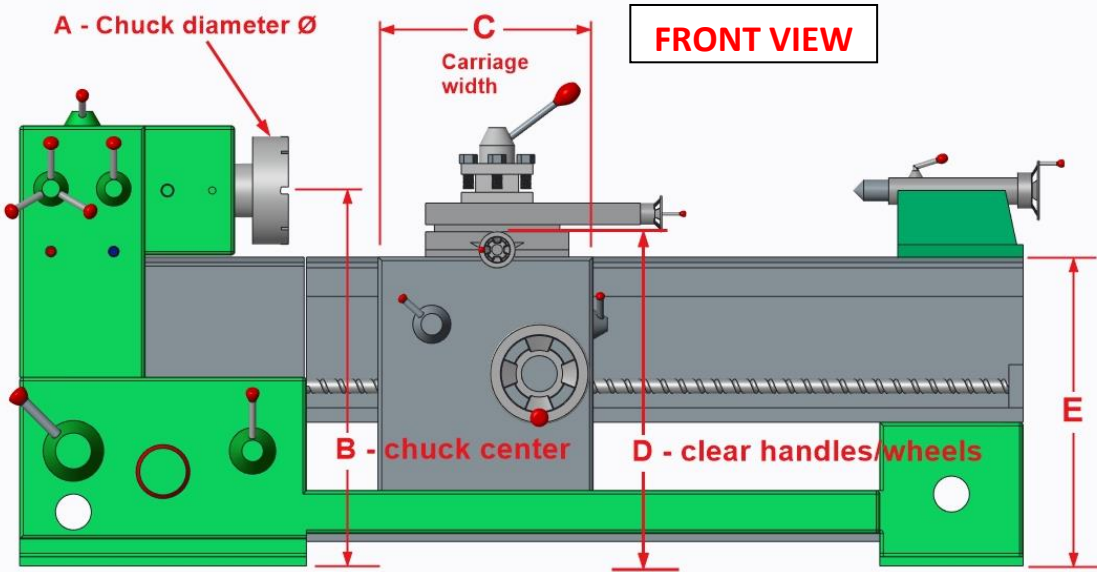


FER-SD Guard System Template

Lathe number or Model: _____



A = _____

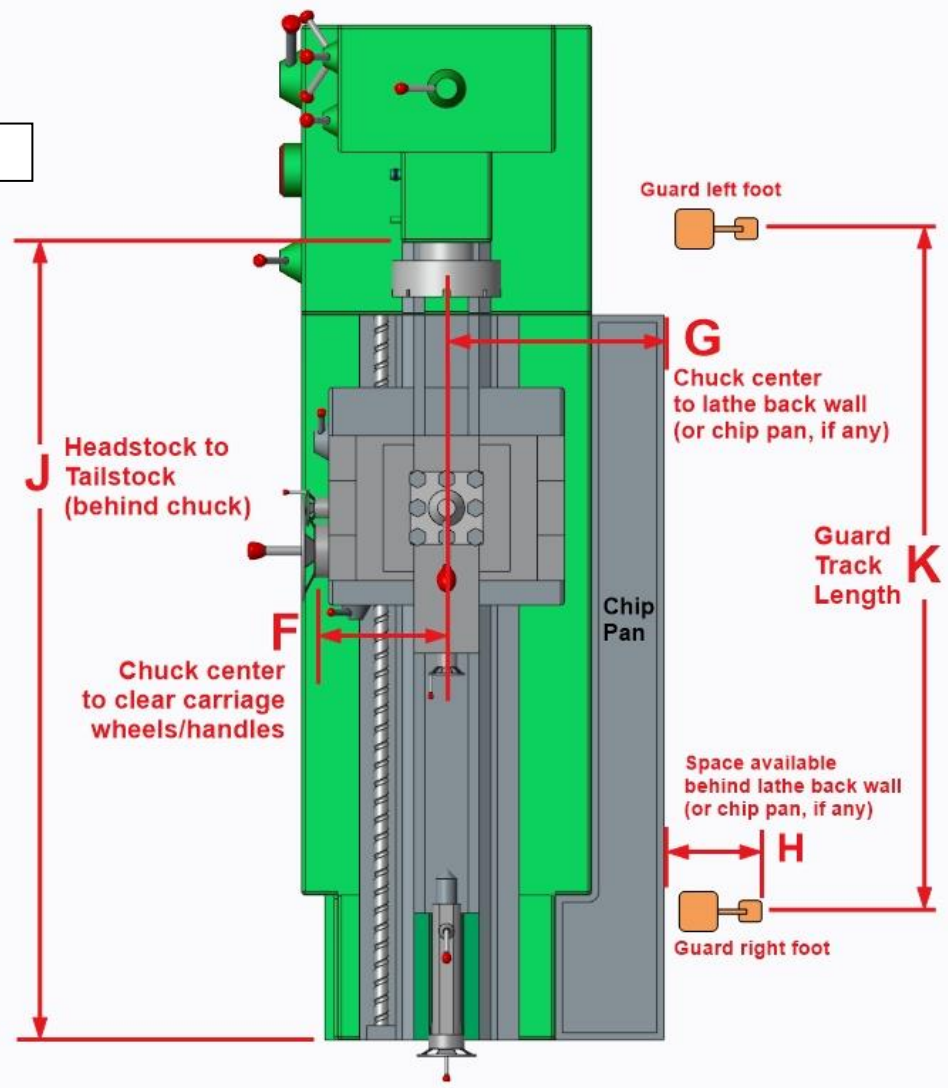
B = _____

C = _____

D = _____

E = _____

TOP VIEW



F = _____

G = _____

H = _____

J = _____

K = _____