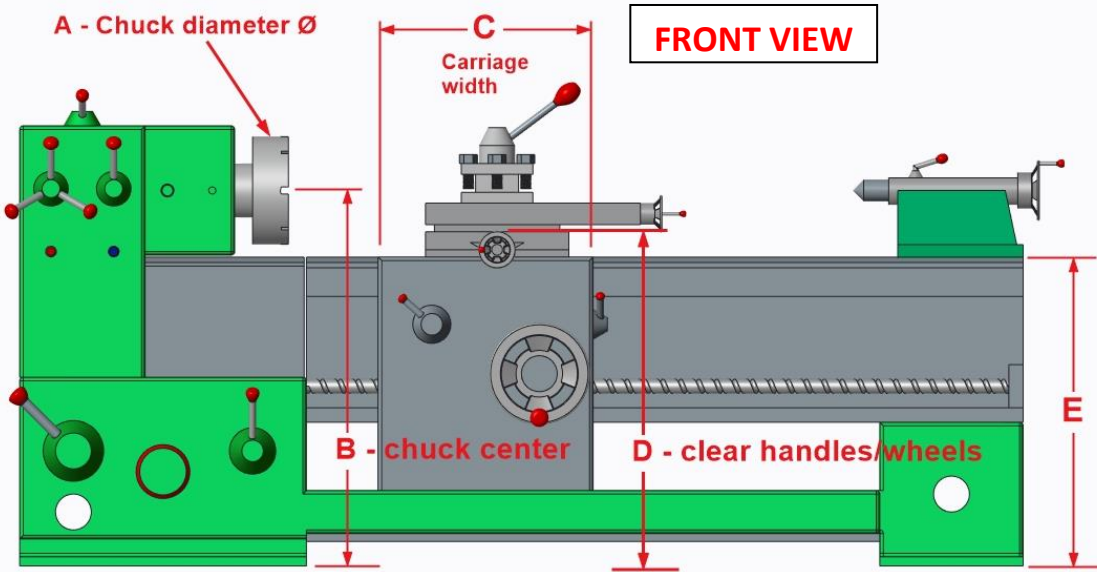


FER-SD Guard System Template

Lathe number or Model: _____



A = _____

B = _____

C = _____

D = _____

E = _____

TOP VIEW

F = _____

G = _____

H = _____

J = _____

K = _____

L = _____

M = _____

