

- All dimensions are metric (mm)

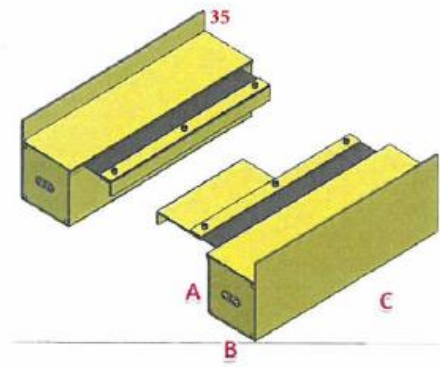
Roll blinders for lathe lead-screw - Model AR

Fabric length/height + Box Dimensions

Pair of AR1000x H150 - Box A75xB75xC200
 Pair of AR1500 x H150 - Box A75xB75xC200

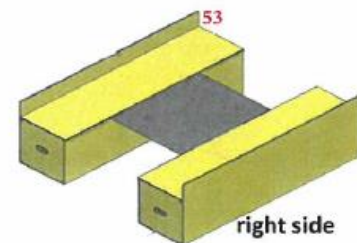
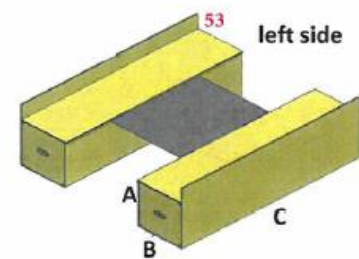
Pair of AR2000 x H200 - Box A75xB75xC275
 Pair of AR3000 x H250 - Box A80xB80xC300

Pair of AR4000 x H250 - Box A105xB105xC300
 Pair of AR5000 x H250 - Box A105xB105xC350
 Pair of AR4000 x H300 - Box A105xB105xC400
 Pair of AR5000 x H300 - Box A105xB105xC400
 Pair of AR6000 x H350 - Box A140xB140xC450



Fabric length/height+ box dimens. for LONG AR
 Every supply includes 4 boxes and 2 fabric rolls

2 Pair of AR7000DB x H300 (Every AR side has 2 boxes)
 Boxes A150 x B150 x C600
 2 Pair of AR8000DB x H300 (Every AR side has 2 boxes)
 Boxes A150 x B150 x C600



AVAILABLE FROM STOCK, subject to sale.