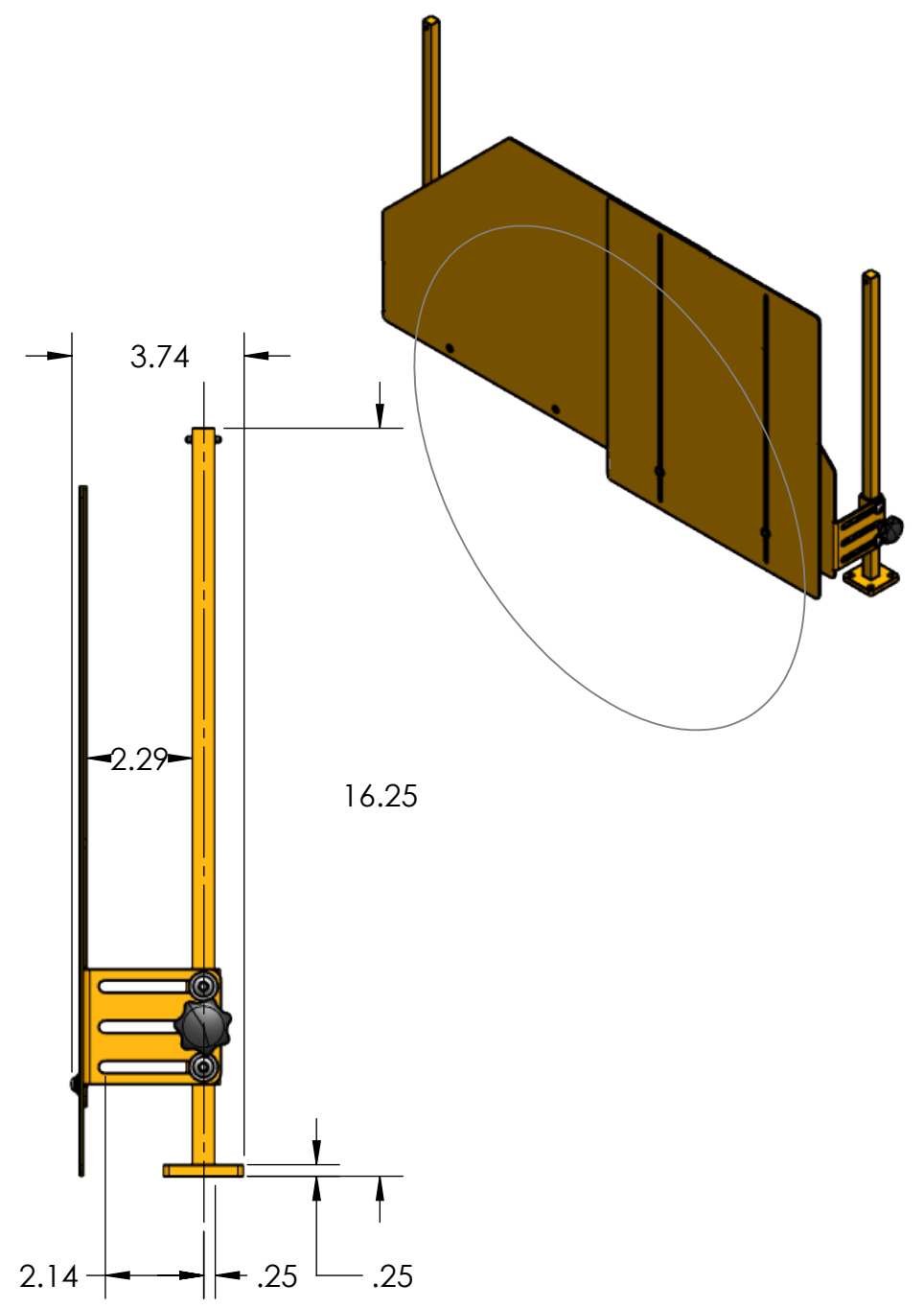
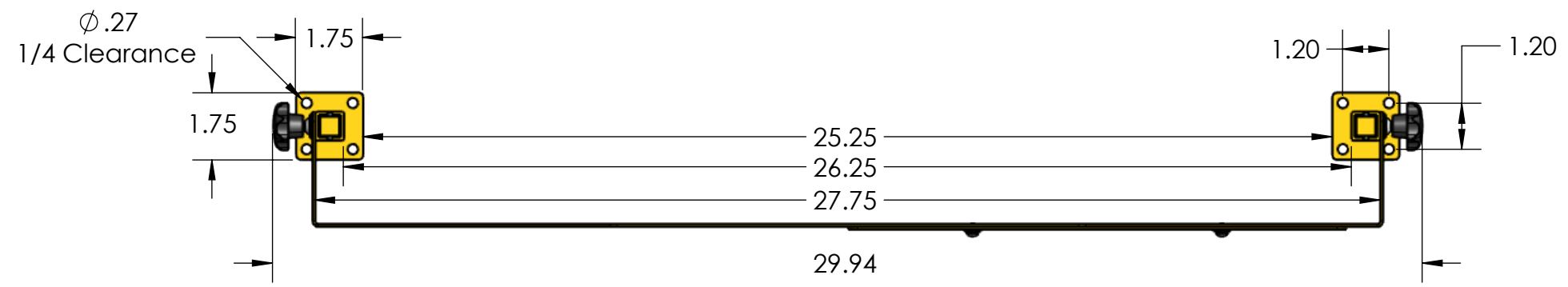


4

3

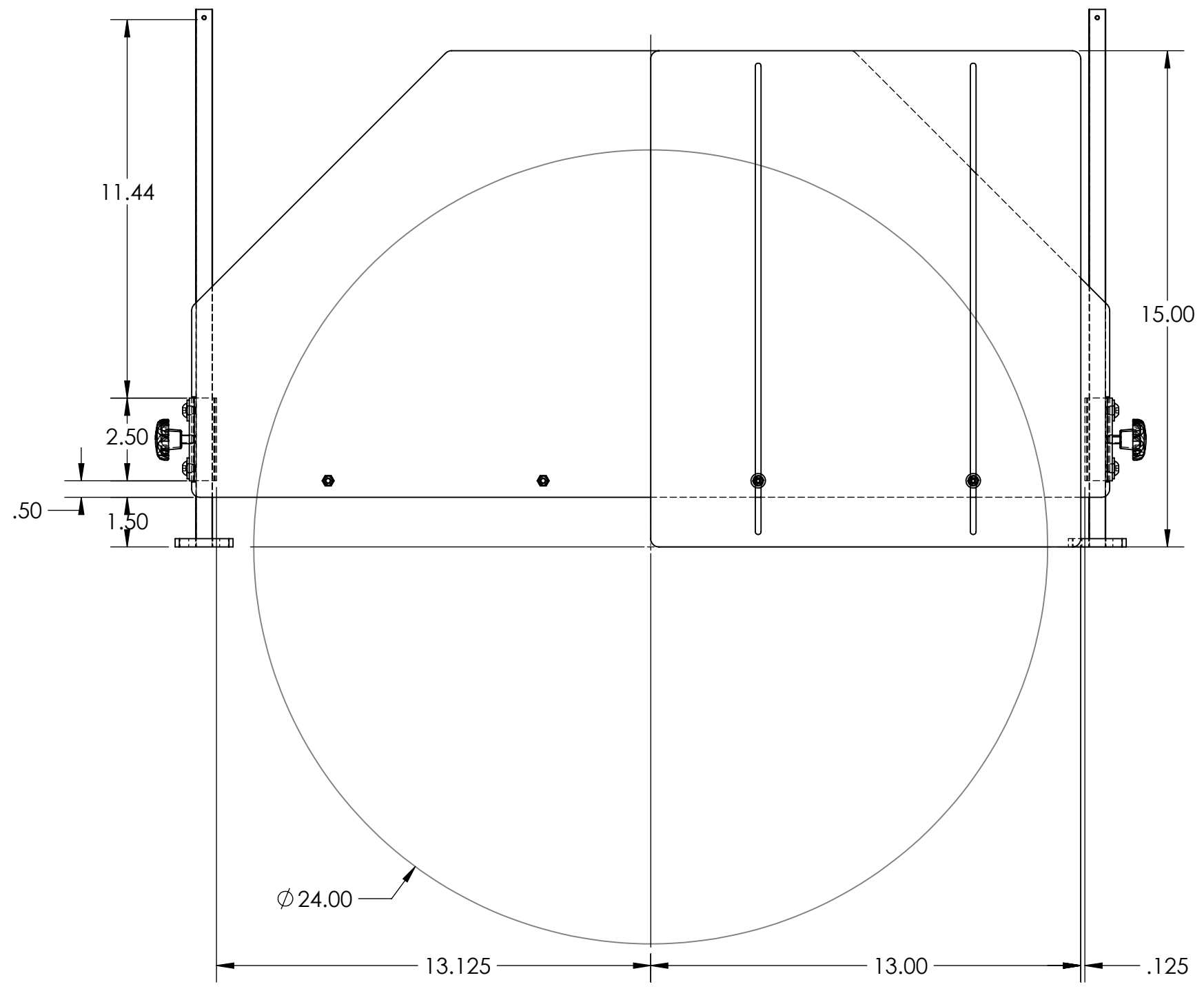
2

1




B

B



A

A

UNLESS OTHERWISE SPECIFIED: DIMENSIONS ARE IN INCHES TOLERANCES: $\pm 0.06$ ANGULAR: DEGREES BEND $\pm 0.1$				PART NUMBER: FER-DS-24U	
DATE OF CREATION: 2022-12-12		THE INFORMATION CONTAINED IN THIS DRAWING IS THE SOLE PROPERTY OF FERNDAL SAFETY. ANY REPRODUCTION IN PART OR AS A WHOLE WITHOUT THE WRITTEN PERMISSION OF FERNDAL SAFETY IS PROHIBITED.		DESCRIPTION: Disc sander guard 24inch setup	
WEIGHT: 14.06 lbs		DRAWN BY: Lucas.R		DATE: 2022-12-12 1:12:48 PM	
Number of elements: 30		CHECKED BY:		SIZE MODEL NAME:	
Client:		PROJECT: FER_DS		REV <b>A</b>	
DO NOT SCALE DRAWING		SCALE: 1:4		SHEET 1 OF 1	

4

3

2

1