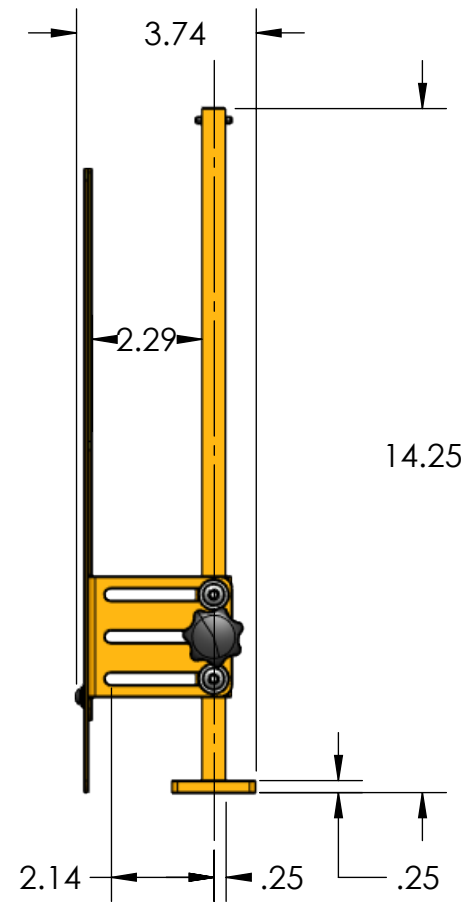
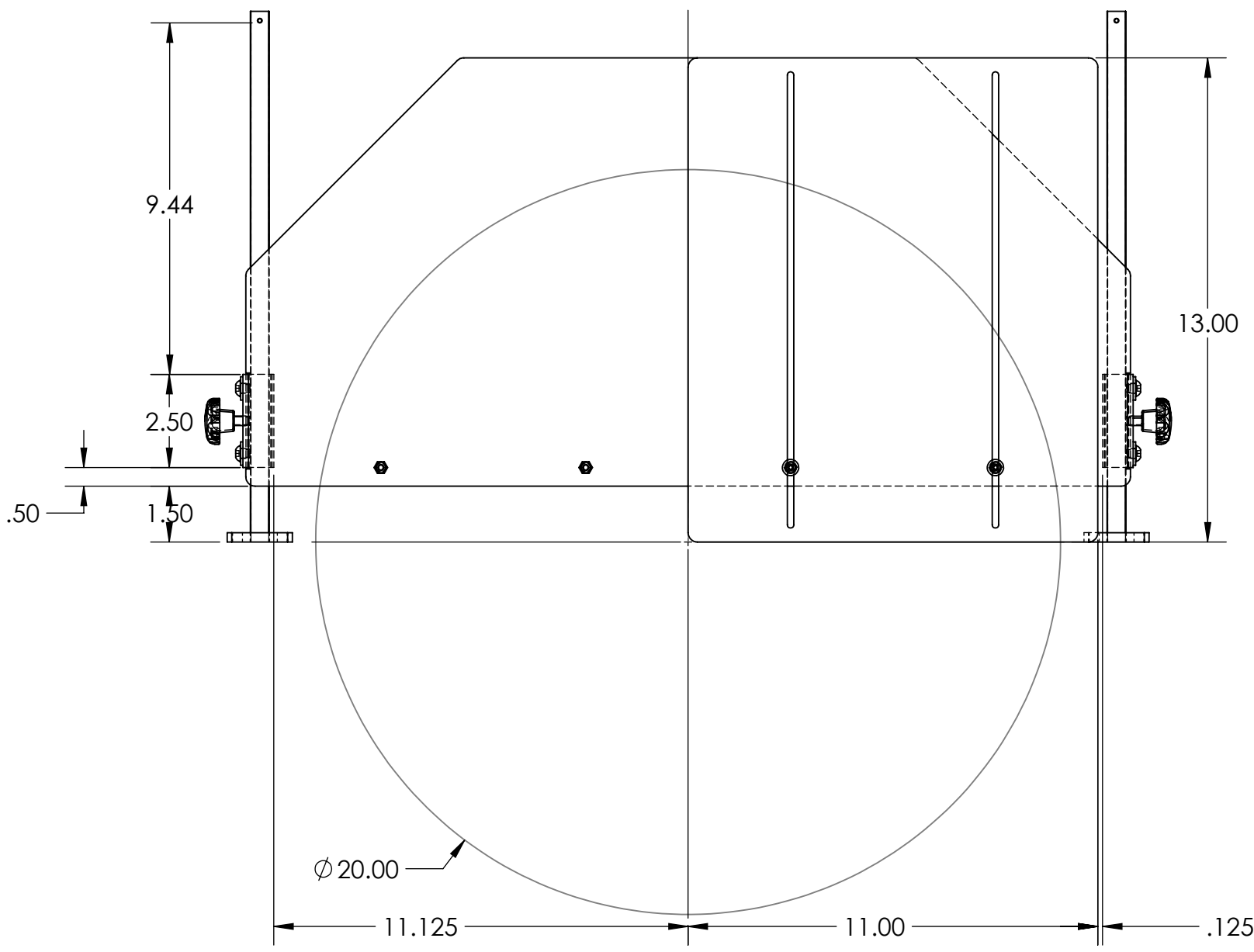
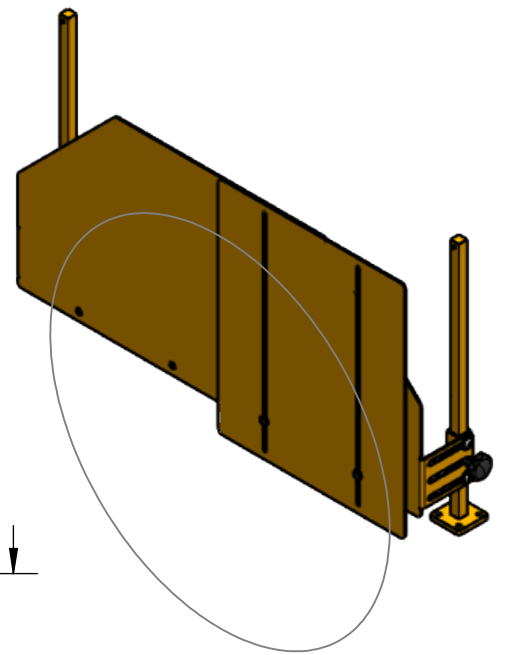
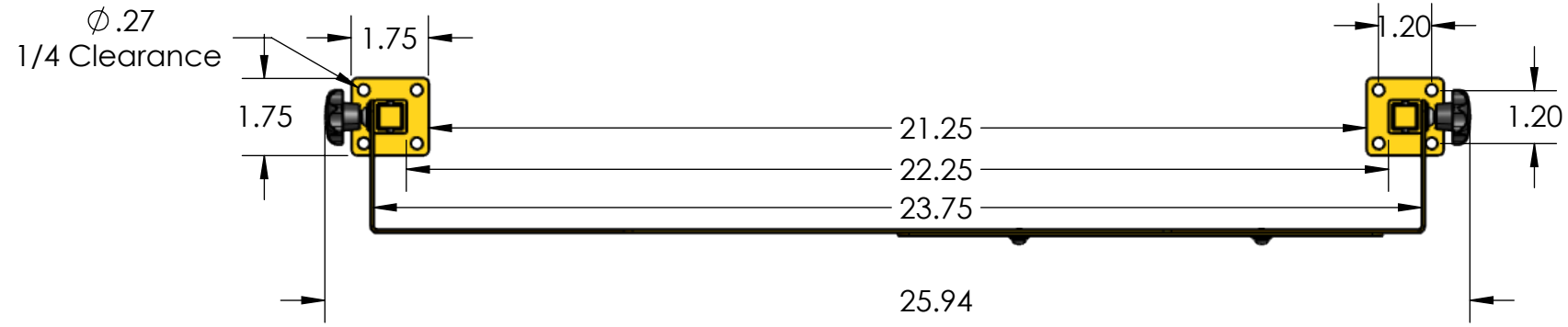



4

3

2

1



UNLESS OTHERWISE SPECIFIED: DIMENSIONS ARE IN INCHES TOLERANCES: $\pm 0.06$ ANGULAR: DEGREES BEND $\pm 0.1$		 <p>THE INFORMATION CONTAINED IN THIS DRAWING IS THE SOLE PROPERTY OF FERNDALE SAFETY. ANY REPRODUCTION IN PART OR AS A WHOLE WITHOUT THE WRITTEN PERMISSION OF FERNDALE SAFETY IS PROHIBITED.</p>	PART NUMBER: FER-DS-20U	
DATE OF CREATION: 2022-12-12			DESCRIPTION: Disc sander guard 20inch setup	
WEIGHT: 11.14 lbs		DRAWN BY: Lucas.R		DATE: 2022-12-12 11:41:47 AM
Number of elements: 30		CHECKED BY:		SIZE <b>B</b>
Client:		PROJECT: FER_DS		MODEL NAME: Disc Sander 20"
DO NOT SCALE DRAWING		SCALE: 1:4		REV <b>A</b>
		SHEET 1 OF 1		

4

3

2

1

B

B

A

A