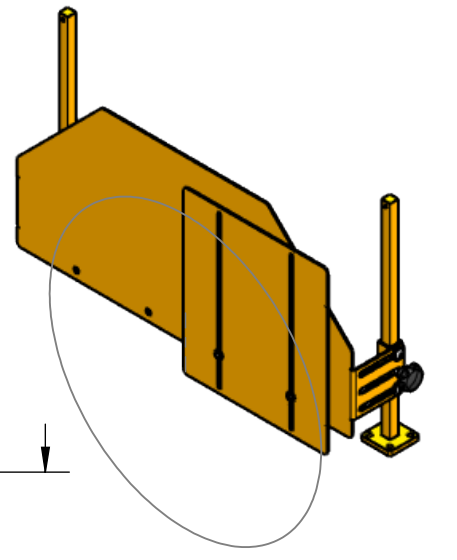
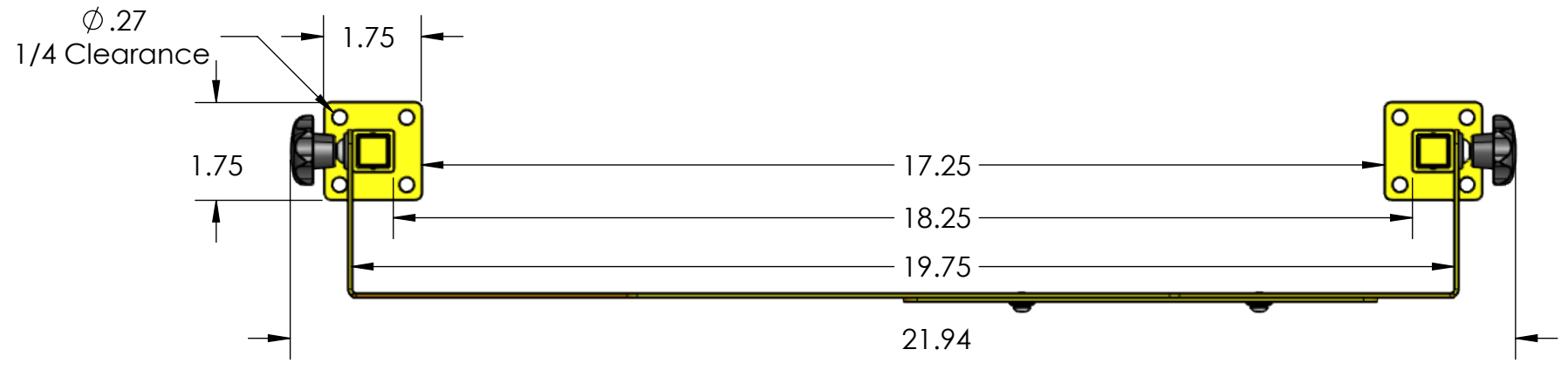
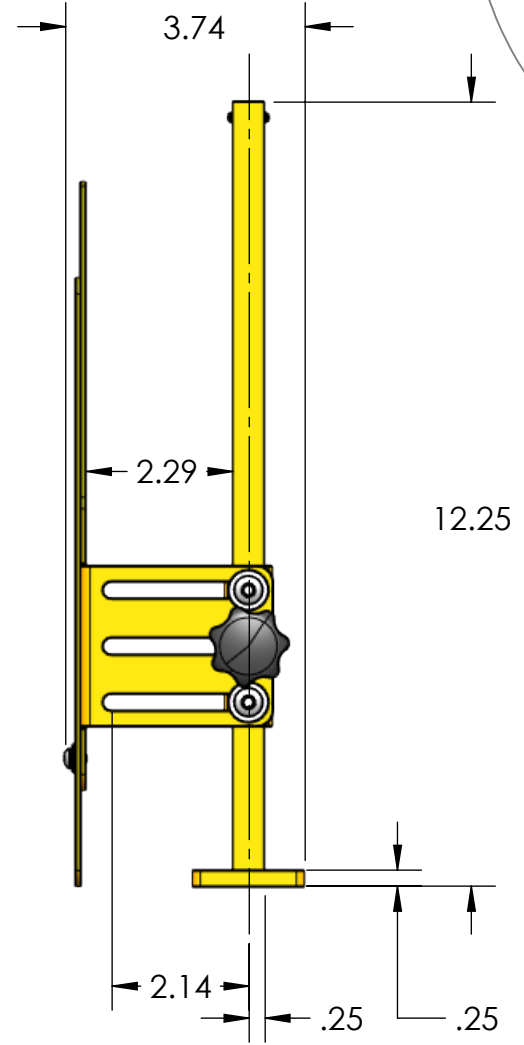
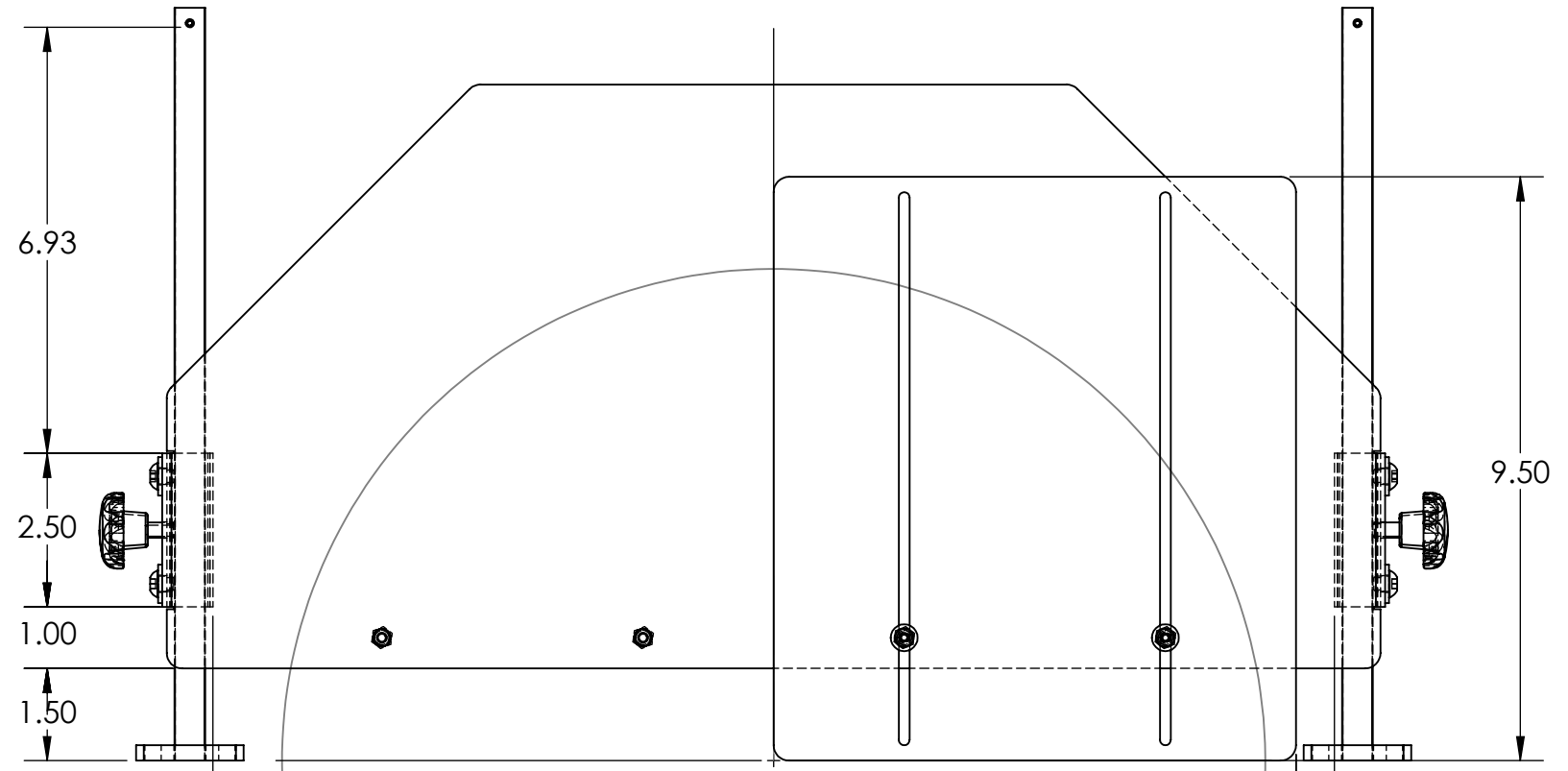


4 3 2 1




B

B



A

A

UNLESS OTHERWISE SPECIFIED: DIMENSIONS ARE IN INCHES TOLERANCES: ± 0.06 ANGULAR: DEGREES BEND ± 0.1				PART NUMBER: FER-DS-16U	
DATE OF CREATION: 2022-12-12		THE INFORMATION CONTAINED IN THIS DRAWING IS THE SOLE PROPERTY OF FERNDALE SAFETY. ANY REPRODUCTION IN PART OR AS A WHOLE WITHOUT THE WRITTEN PERMISSION OF FERNDALE SAFETY IS PROHIBITED.		DESCRIPTION: Disc sander guard 16inch setup	
WEIGHT: 7.94 lbs		DRAWN BY: Lucas.R		DATE: 2022-12-12 11:31:41 AM	
Number of elements: 30		CHECKED BY:		SIZE MODEL NAME: B Disc Sander 16"	
Client:		PROJECT: FER_DS		REV A	
DO NOT SCALE DRAWING		SCALE: 1:3		SHEET 1 OF 1	

4 3 2 1