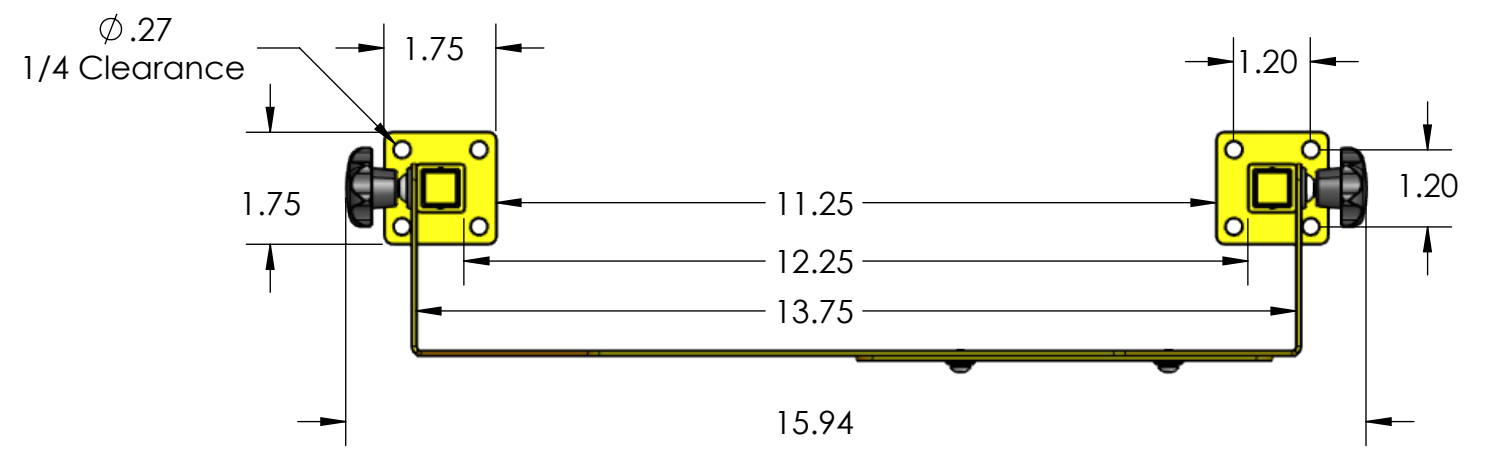


4

3

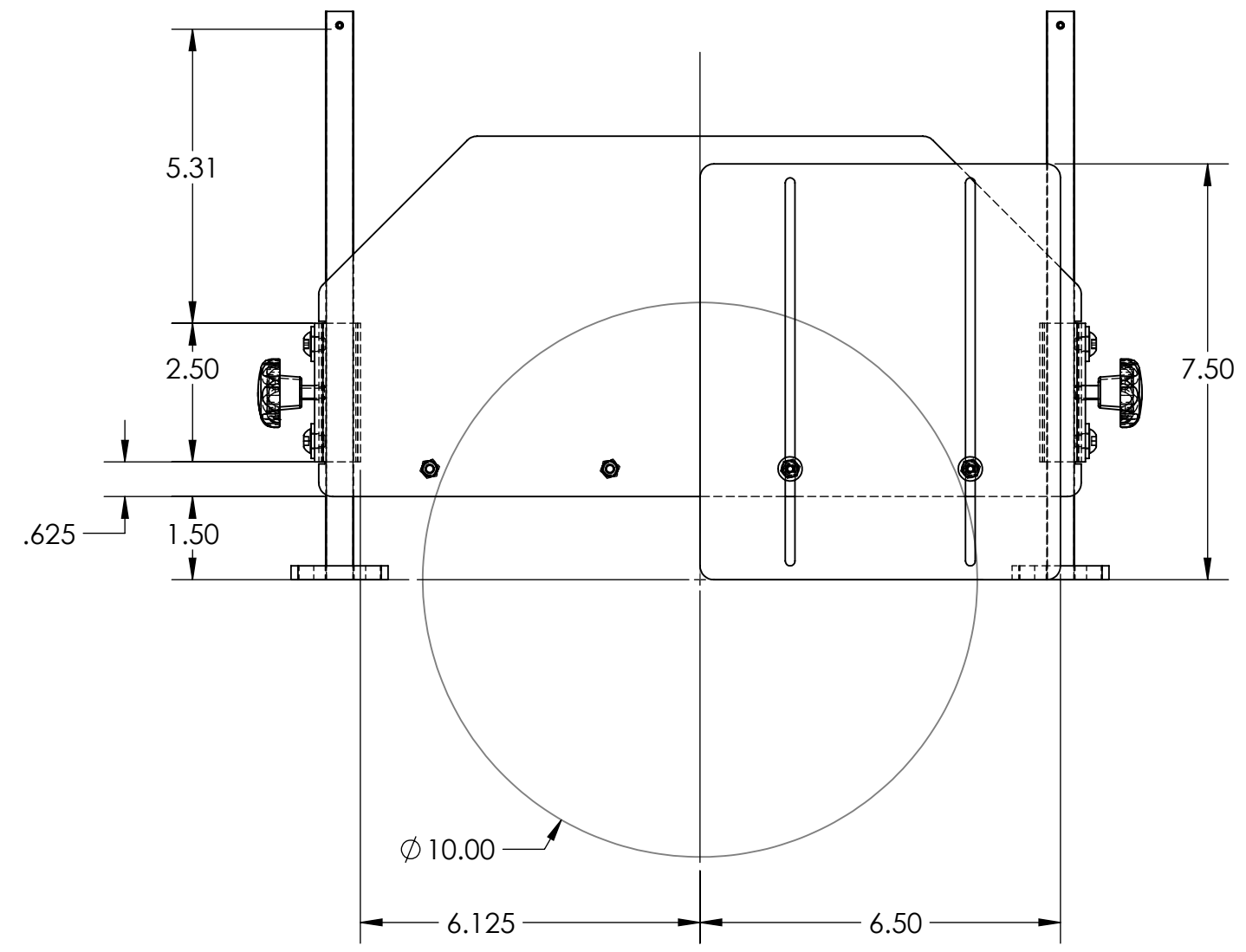
2

1



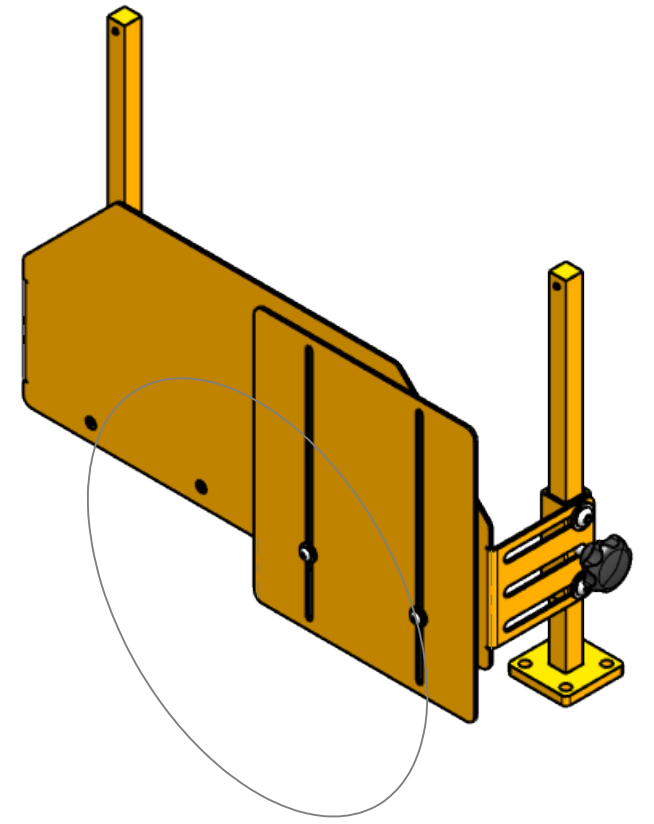
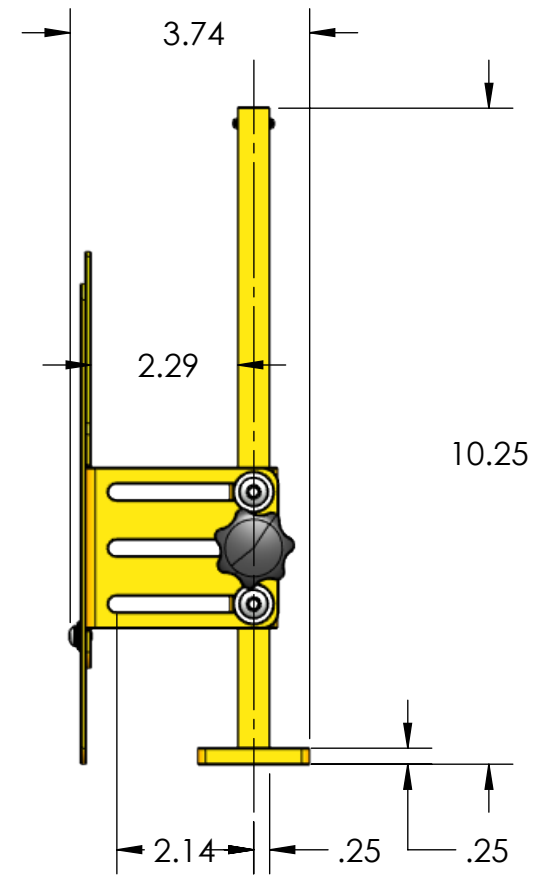
B

B



A

A



UNLESS OTHERWISE SPECIFIED:
 DIMENSIONS ARE IN INCHES
 TOLERANCES: ± 0.06
 ANGULAR: DEGREES
 BEND ± 0.1

DATE OF CREATION:
 2022-12-12

WEIGHT:
 5.29 lbs

Number of elements:
 30

Client:

DO NOT SCALE DRAWING

Ferndale
Safety

THE INFORMATION CONTAINED IN THIS DRAWING IS THE SOLE PROPERTY OF FERNDALE SAFETY. ANY REPRODUCTION IN PART OR AS A WHOLE WITHOUT THE WRITTEN PERMISSION OF FERNDALE SAFETY IS PROHIBITED.

DRAWN BY:
 Lucas.R

CHECKED BY:

PROJECT:
 FER_DS

PART NUMBER: FER-DS-10U		REV A
DESCRIPTION: Disc sander guard 10inch setup		
DATE: 2022-12-12 9:36:26 AM		SCALE: 1:3
SIZE B	MODEL NAME: Disc Sander 10"	
SHEET 1 OF 1		

4

3

2

1